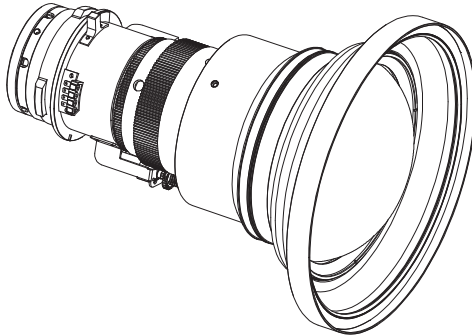


Panasonic®

Operating Instructions

Zoom Lens **Commercial Use**

Model No. **ET-DLE060**



ENGLISH

FRANÇAIS

日本語

Thank you for purchasing this Panasonic product.

- To ensure correct use of this lens, please read the operating instructions supplied with the lens and the projector carefully.
- **Before using this product, be sure to read “Read this first!” (➡Page 3).**
- Please save this manual for future use.

Contents

Read this first!	3
Before Use	4
Attaching the Lens / Detaching the Lens	4
Before replacing the projection lens	4
Attaching the Lens.....	5
Detaching the Lens	6
Focus Adjustment.....	7
Projection relationships	8
Lens shift ranges	10
Specifications	12
Dimensions	12
Projected image size and Projection distance	Appendix / Annexe / 付録 1
The "Appendix" can be found after the Japanese language section (日本語).	

WARNING:

Do not look at or place your skin into the light emitted from the lens while the projector is being used.

Doing so can cause burns or loss of sight.

- Strong light is emitted from the projector's lens. Do not look at or place your hands directly into this light.
- Turn off the power when moving away from the projection lens or projector.

Do not project an image with the lens cover attached.

- Doing so can cause fire.

CAUTION:

Before replacing the projection lens, be sure to turn off the power and disconnect the power plug from the wall outlet.

- Unexpected projection of light may cause injury to eyes.
- Replacing the projection lens without removing the power plug may result in electric shock.

Do not stand in front of the lens while the projector is being used.

Doing so can cause damage and burns to clothing.

- Strong light is emitted from the projector's lens.

Do not place objects in front of the lens while the projector is being used.

Doing so can cause fire, damage to the object, or malfunction of the lens and projector.

- Strong light is emitted from the projector's lens.

Do not open the desiccant bag. Do not eat the contents.

Inadvertently ingesting desiccant could be harmful.

- If the desiccant gets into your eyes or mouth, immediately rinse with plenty of water and seek medical attention.
- Keep desiccant out of the reach of children.

Before Use

Supported projectors

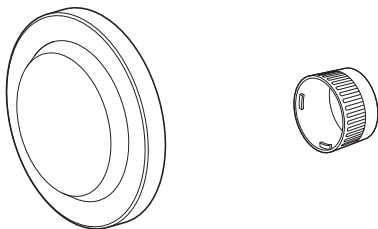
PT-RZ970 / PT-RW930 / PT-RX110 / PT-RZ770 / PT-RW730 / PT-RZ660 / PT-RW620 / PT-DZ870 / PT-DW830 / PT-DX100 / PT-DZ780 / PT-DW750 / PT-DX820

Note

- This manual omits the alphabets at the end of projector model numbers.
- Models other than the above may also be supported. Refer to the operating instructions of the projector you are using.

Supplied Accessories

Make sure that the following has been provided.

Part name	Appearance
Lens cover	 <p>(The product is delivered with a lens cover attached.)</p> <p>1 each</p>

Attaching the Lens / Detaching the Lens

Before replacing the projection lens

Return the projection lens to the home position before replacing or removing it. For details on how to return the lens to the home position, refer to the operating instructions of the projector.

Attention

- Make sure that the projector power supply is switched off before attaching or detaching the projection lens.
- After removing the projection lens, store it safely away from vibration or impacts.
- Do not touch the electric contact points of the projection lens with your fingers. Dust and dirt on the contacts may cause contact malfunctions, while static electricity may damage the unit.
- Do not touch the surface of the lens with bare hands. Finger prints and dirt on the surface of the lens will be magnified by the lens and lower the quality of the projected image. Place the supplied lens cover on the zoom lens when the projector is not in use.
- The lens is made of glass. The lens could be damaged if brought into contact with or rubbed against hard objects. Handle the lens carefully.
- Use a clean, soft and dry cloth to wipe away dust and dirt from the projection lens. Do not use fluffy cloths containing oil, water or dust for cleaning. The lens is easily damaged, so do not apply excessive pressure when wiping it.

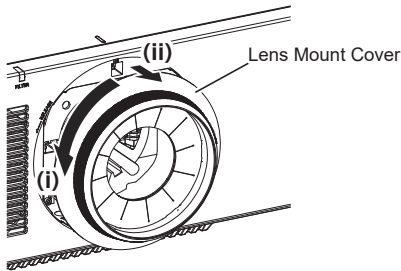
Attaching the Lens / Detaching the Lens (continued)

Attaching the Lens

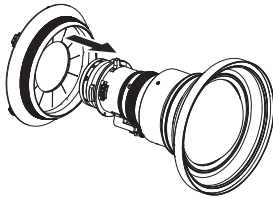
Attention

- Before attaching the Projection Lens, remove the lens hole cover (only lens options models) and the two lens covers attached to the Projection Lens.

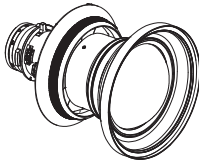
The illustrations in this procedure depict use of the PT-RZ970 series as an example.



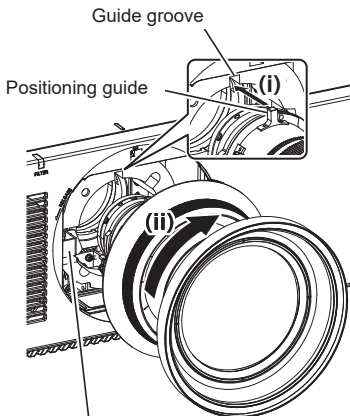
- 1) (i) Turn the lens mount cover counterclockwise, and (ii) remove it.



- 2) Pass the rear of the zoom lens through the lens mount cover until the lens mount cover is at about the front of the zoom lens.



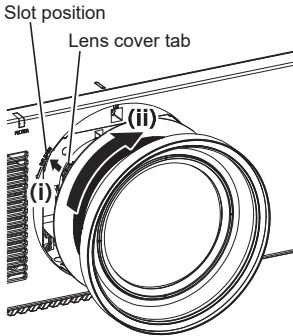
- 3) (i) Align the positioning guide on the zoom lens with the guide groove on the projector, and insert the zoom lens all the way into the projector.



- 4) (ii) Turn the zoom lens clockwise until it clicks into place.
 - Turn the zoom lens counterclockwise, and check that it is locked into place.

Lens release button

Attaching the Lens / Detaching the Lens (continued)

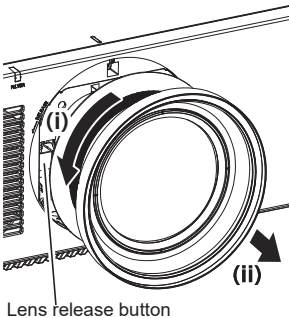


- 5) (i) Insert the tab on the lens mount cover through the slot on the projector, and (ii) turn clockwise to secure lens mount cover.

Attention

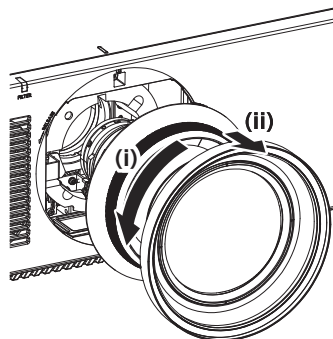
- After attaching the projection lens, turn on the projector and perform lens calibration.

Detaching the Lens



The illustrations in this procedure depict use of the PT-RZ970 series as an example.

- 1) (i) Turn the lens mount cover counterclockwise, and (ii) remove it.
- 2) Press the lens release button.
 - A click will be heard.



- 3) (i) Turn the zoom lens counterclockwise, and (ii) remove it.

Attaching the Lens / Detaching the Lens (continued)

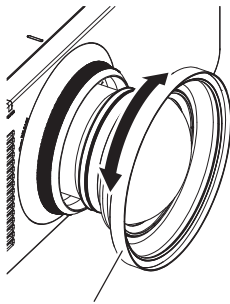
Focus Adjustment

The focus balance of the center of the projected image and that of the peripheral areas differs depending on the size of the image.

This lens is equipped with a function for adjusting the peripheral focus balance.

■ Adjusting the focus

The illustrations in this procedure depict use of the PT-RZ970 series as an example.



Peripheral focus adjustment ring

- 1) **Operate the projector to align the focus of the center of the image.**
- 2) **Manually turn the peripheral focus adjustment ring as shown on the left, and align the focus of the peripheral areas of the image.**

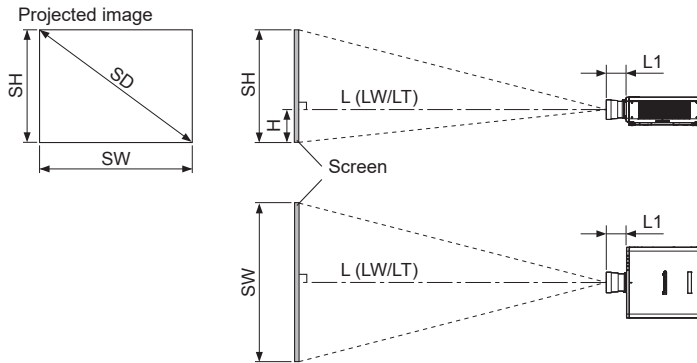
Attention

- The projected image sizes and their indicators shown on the peripheral focus adjustment ring are approximate guides.

Projection relationships

The dimensional relationship between the screen and the projector is shown below.

■ Dimensional relationship diagram



Note

- This diagram assumes that the size and position of the projected image will be adjusted so that the image fills the entire screen.
- This illustration is not drawn to scale.

L		Projection distance
	LW	Minimum distance
	LT	Maximum distance
L1		Lens protrusion dimension
SH		Image height
H		Distance from the lens center to the lower edge of the projected image
SW		Image width
SD		Projected image size

(Unit: m)

Projector model	Dimension for L1 (approximate value)
PT-RZ970 / PT-RW930 / PT-RX110 / PT-RZ770 / PT-RW730 / PT-RZ660 / PT-RW620 / PT-DZ870 / PT-DW830 / PT-DX100	0.104
PT-DZ780 / PT-DW750 / PT-DX820	0.084

Note

- The illustrations of projectors in this manual are for informational purposes only and do not represent a specific projector model. Configurations may vary with the model.
- Some of the alphabet letters at the end of projector model numbers may be omitted in this manual.

Projection relationships (continued)

Attention

- To prevent obstruction of the intake and exhaust vents, install the projector with a clearance at least 500 mm (1 ft. 7 in.) from walls and objects.
If you are installing the projector in a sealed space, be sure to provide additional air conditioning equipment and ventilation equipment. Insufficient ventilation will result in an accumulation of heat and may activate the projector's protection circuit.
- Avoid setting up in places which are subject to sudden temperature changes, such as near an air conditioner or lighting equipment (studio lamps, etc.).

■ Dimensional relationship

For details on the projection distance (L), refer to “Projected image size and Projection distance” and “Projection distance formulas” in the Appendix.

Note

- For details on “Projected image size and Projection distance” for projector models other than the following, refer to “Setting up” in the operating instructions of the projector.
- Some of the alphabet letters at the end of projector model numbers may be omitted in this manual.

PT-RZ970 / PT-RW930 / PT-RX110 / PT-RZ770 / PT-RW730 / PT-RZ660 / PT-RW620 /
PT-DZ870 / PT-DW830 / PT-DX100 / PT-DZ780 / PT-DW750 / PT-DX820

Lens shift ranges

If you perform lens calibration after attaching the projection lens, the projection lens moves to the home position after calibration is complete.

Using the position of the projected image at the home position (i.e., the standard projection position) as a basis, you can use the lens shift adjustment function on the projector to adjust the position of the projected image within the respective lens shift ranges.

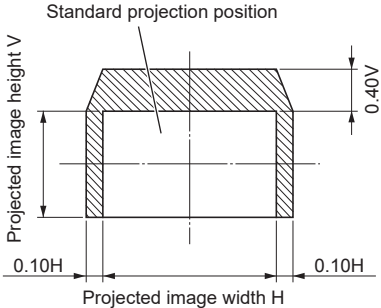
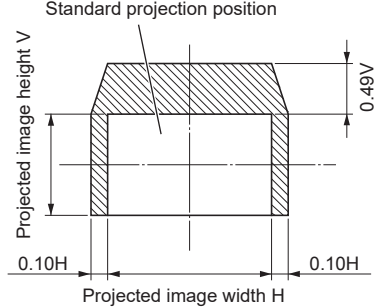
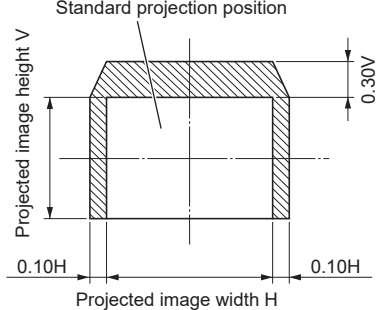
Perform lens shift adjustment within the ranges shown in the following illustrations.

Moving the lens outside of the adjustment ranges may alter the focus. This occurs due to limitations in lens movement that are intended to protect the optical components.

The following illustrations depict lens shift ranges for floor installations of the projector.

<p>PT-RZ970 / PT-RZ770 / PT-RZ660 / PT-DZ780</p>	<p>Standard projection position</p> <p>0.19H</p> <p>Projected image height V</p> <p>0.40V</p> <p>0.16V</p> <p>0.10H</p> <p>Projected image width H</p>
<p>PT-RW930 / PT-RW730 / PT-RW620 / PT-DW750</p>	<p>Standard projection position</p> <p>0.23H</p> <p>Projected image height V</p> <p>0.49V</p> <p>0.16V</p> <p>0.10H</p> <p>Projected image width H</p>
<p>PT-RX110 / PT-DX820</p>	<p>Standard projection position</p> <p>0.19H</p> <p>Projected image height V</p> <p>0.30V</p> <p>0.13V</p> <p>0.10H</p> <p>Projected image width H</p>

Lens shift ranges (continued)

PT-DZ870	 <p>Standard projection position</p> <p>Projected image height V</p> <p>Projected image width H</p> <p>$0.10H$</p> <p>$0.10H$</p> <p>$0.40V$</p>
PT-DW830	 <p>Standard projection position</p> <p>Projected image height V</p> <p>Projected image width H</p> <p>$0.10H$</p> <p>$0.10H$</p> <p>$0.49V$</p>
PT-DX100	 <p>Standard projection position</p> <p>Projected image height V</p> <p>Projected image width H</p> <p>$0.10H$</p> <p>$0.10H$</p> <p>$0.30V$</p>

Note

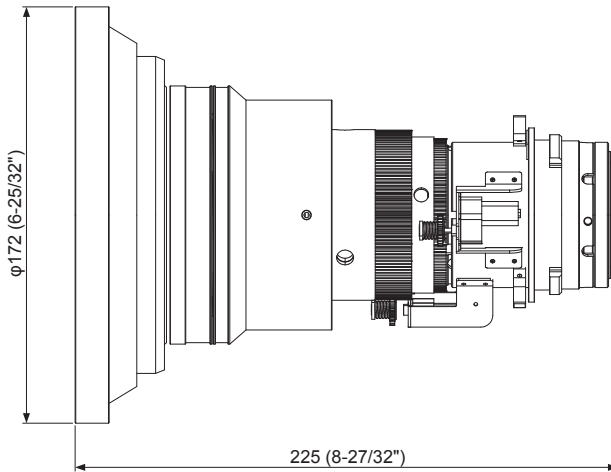
- The home position of the projector a point of origin position for the lens shift (i.e., vertical and horizontal positions of the lens) based on the results of lens calibration. It is not the optical center position of the screen.
- Some of the alphabet letters at the end of projector model numbers may be omitted in this manual.

Specifications

F value	1.85 - 2.32
Focal Length (f)	9.16 mm (3/8") - 12.1 mm (15/32")
Dimensions	Width 172 mm (6-25/32") Height 172 mm (6-25/32") Depth 225 mm (8-27/32")
Net Weight	Approx. 1.3 kg (2.9 lb)

Dimensions

(Unit: mm)



Information for users in the European Union

Importer's name and address within the European Union
Panasonic Marketing Europe GmbH
Panasonic Testing Centre
Winsbergring 15, 22525 Hamburg, Germany

Disposal of Old Equipment

Only for European Union and countries with recycling systems



This symbol on the products, packaging, and/or accompanying documents means that used electrical and electronic products must not be mixed with general household waste. For proper treatment, recovery and recycling of old products, please take them to applicable collection points in accordance with your national legislation.

By disposing of them correctly, you will help to save valuable resources and prevent any potential negative effects on human health and the environment.

For more information about collection and recycling, please contact your local municipality. Penalties may be applicable for incorrect disposal of this waste, in accordance with national legislation.

Information on Disposal in other Countries outside the European Union

This symbol is only valid in the European Union.

If you wish to discard this product, please contact your local authorities or dealer and ask for the correct method of disposal.

Product Information (for Turkey only)



AEEE Yönetmeliğine Uygundur.

Eski Ekipman ve Bataryaların İşlenmesi.

Sadece geri dönüşüm sistemleri olan Avrupa Birliği ve ülkeleri için geçerlidir.

Ürünler, ambalaj ve/veya ekli belgeler üzerindeki bu semboller kullanılmış elektrik ve elektronik ürünlerin genel ev atığı ile karıştırılmaması gerektiğini ifade eder.

Eski ürünlerin toplanması ve geri kazanılması için bu atıklar lütfen yasayla belirlenmiş olan uygun toplama merkezlerine teslim ediniz.

Bu atıkların doğru işlenmesiyle, değerli kaynakların korunmasına ve insan sağlığı ve çevreye olası negatif etkilerinin engellenmesine yardımcı olabilirsiniz.

Atıkların toplanması ve geri dönüşümü için detaylı bilgi için lütfen bağlı olduğunuz yerel yönetimlerle iletişime geçiniz.

Atıkların atılmasıyla ilgili yanlış uygulamalar yasayla belirlenmiş olan cezalara sebebiyet verebilir.

Panasonic Corporation

Web Site : <https://panasonic.net/cns/projector/>

© Panasonic Corporation 2018

Panasonic System Solutions Company of North America

Two Riverfront Plaza, Newark, NJ 07102

TEL: (877) 803 - 8492

Panasonic Canada Inc.

5770 Ambler Drive, Mississauga, Ontario L4W 2T3

TEL: (905) 624 - 5010

SS0318NK1059 -PJ

Printed in Japan

Appendix / Annexe / 付録

- When the screen aspect ratio is 16:10
- Lorsque le rapport d'aspect de l'écran est 16:10
- アスペクト比 16:10

(Unit / Unités / 単位 : m)

PT-RZ970 / PT-RZ770 / PT-RZ660 / PT-DZ870 / PT-DZ780

Throw ratio / Rapport de projection / スローレシオ : [0.60 - 0.80:1]

SD	SH	SW	LW	LT	H (for models other than the PT-DZ870) (pour les modèles autres que le PT-DZ870) (PT-DZ870 以外のとき)	H (for the PT-DZ870) (pour le PT-DZ870) (PT-DZ870 のとき)
					1.27 (50")	0.673
1.52 (60")	0.808	1.292	0.76	1.02	0.081 - 0.533	0.081 - 0.404
1.78 (70")	0.942	1.508	0.90	1.20	0.094 - 0.622	0.094 - 0.471
2.03 (80")	1.077	1.723	1.03	1.38	0.108 - 0.711	0.108 - 0.538
2.29 (90")	1.212	1.939	1.17	1.56	0.121 - 0.800	0.121 - 0.606
2.54 (100")	1.346	2.154	1.31	1.74	0.135 - 0.888	0.135 - 0.673
3.05 (120")	1.615	2.585	1.58	2.10	0.162 - 1.066	0.162 - 0.808
3.81 (150")	2.019	3.231	1.99	2.63	0.202 - 1.333	0.202 - 1.010
5.08 (200")	2.692	4.308	2.67	3.53	0.269 - 1.777	0.269 - 1.346
6.35 (250")	3.365	5.385	3.35	4.42	0.337 - 2.221	0.337 - 1.683
7.62 (300")	4.039	6.462	4.03	5.32	0.404 - 2.665	0.404 - 2.019
8.89 (350")	4.712	7.539	4.71	6.21	0.471 - 3.110	0.471 - 2.356
10.16 (400")	5.385	8.616	5.39	7.11	0.538 - 3.554	0.538 - 2.692
12.70 (500")	6.731	10.770	6.75	8.90	0.673 - 4.442	0.673 - 3.365
15.24 (600")	8.077	12.923	8.11	10.69	0.808 - 5.331	0.808 - 4.039

PT-RW930 / PT-RW730 / PT-RW620 / PT-DW830 / PT-DW750

Throw ratio / Rapport de projection / スローレシオ : [0.63 - 0.84:1]

SD	SH	SW	LW	LT	H (for models other than the PT-DW830) (pour les modèles autres que le PT-DW830) (PT-DW830 以外のとき)	H (for the PT-DW830) (pour le PT-DW830) (PT-DW830 のとき)
					1.27 (50")	0.673
1.52 (60")	0.808	1.292	0.80	1.08	0.008 - 0.533	0.008 - 0.404
1.78 (70")	0.942	1.508	0.94	1.26	0.009 - 0.622	0.009 - 0.471
2.03 (80")	1.077	1.723	1.09	1.45	0.011 - 0.711	0.011 - 0.538
2.29 (90")	1.212	1.939	1.23	1.64	0.012 - 0.800	0.012 - 0.606
2.54 (100")	1.346	2.154	1.37	1.83	0.013 - 0.888	0.013 - 0.673
3.05 (120")	1.615	2.585	1.66	2.20	0.016 - 1.066	0.016 - 0.808
3.81 (150")	2.019	3.231	2.09	2.77	0.020 - 1.333	0.020 - 1.010
5.08 (200")	2.692	4.308	2.80	3.71	0.027 - 1.777	0.027 - 1.346
6.35 (250")	3.365	5.385	3.52	4.65	0.034 - 2.221	0.034 - 1.683
7.62 (300")	4.039	6.462	4.23	5.59	0.040 - 2.665	0.040 - 2.019
8.89 (350")	4.712	7.539	4.94	6.53	0.047 - 3.110	0.047 - 2.356
10.16 (400")	5.385	8.616	5.66	7.47	0.054 - 3.554	0.054 - 2.692
12.70 (500")	6.731	10.770	7.09	9.35	0.067 - 4.442	0.067 - 3.365
15.24 (600")	8.077	12.923	8.51	11.23	0.081 - 5.331	0.081 - 4.039

Appendix / Annexe / 付録 (continued / suite / つづき)

- When the screen aspect ratio is 16:9
- Lorsque le rapport d'aspect de l'écran est 16:9
- アスペクト比 16:9

(Unit / Unités / 単位 : m)

PT-RZ970 / PT-RZ770 / PT-RZ660 / PT-DZ870 / PT-DZ780

Throw ratio / Rapport de projection / スローレシオ : [0.60 - 0.80:1]

SD	SH	SW	LW	LT	H (for models other than the PT-DZ870) (pour les modèles autres que le PT-DZ870) (PT-DZ870 以外のとき)	H (for the PT-DZ870) (pour le PT-DZ870) (PT-DZ870 のとき)
1.27 (50")	0.623	1.107	0.64	0.87	0.000 - 0.457	0.000 - 0.346
1.52 (60")	0.747	1.328	0.78	1.05	0.000 - 0.548	0.000 - 0.415
1.78 (70")	0.872	1.550	0.92	1.24	0.000 - 0.639	0.000 - 0.484
2.03 (80")	0.996	1.771	1.06	1.42	0.000 - 0.731	0.000 - 0.553
2.29 (90")	1.121	1.992	1.20	1.60	0.000 - 0.822	0.000 - 0.623
2.54 (100")	1.245	2.214	1.34	1.79	0.000 - 0.913	0.000 - 0.692
3.05 (120")	1.494	2.657	1.62	2.16	0.000 - 1.096	0.000 - 0.830
3.81 (150")	1.868	3.321	2.04	2.71	0.000 - 1.370	0.000 - 1.038
5.08 (200")	2.491	4.428	2.74	3.63	0.000 - 1.826	0.000 - 1.384
6.35 (250")	3.113	5.535	3.44	4.55	0.000 - 2.283	0.000 - 1.730
7.62 (300")	3.736	6.641	4.14	5.47	0.000 - 2.740	0.000 - 2.075
8.89 (350")	4.358	7.748	4.84	6.39	0.000 - 3.196	0.000 - 2.421
10.16 (400")	4.981	8.855	5.54	7.31	0.000 - 3.653	0.000 - 2.767
12.70 (500")	6.226	11.069	6.93	9.15	0.000 - 4.566	0.000 - 3.459
15.24 (600")	7.472	13.283	8.33	10.99	0.000 - 5.479	0.000 - 4.151

PT-RW930 / PT-RW730 / PT-RW620 / PT-DW830 / PT-DW750

Throw ratio / Rapport de projection / スローレシオ : [0.63 - 0.84:1]

SD	SH	SW	LW	LT	H (for models other than the PT-DW830) (pour les modèles autres que le PT-DW830) (PT-DW830 以外のとき)	H (for the PT-DW830) (pour le PT-DW830) (PT-DW830 のとき)
1.27 (50")	0.623	1.107	0.68	0.91	-0.056 - 0.457	-0.056 - 0.346
1.52 (60")	0.747	1.328	0.83	1.11	-0.067 - 0.548	-0.067 - 0.415
1.78 (70")	0.872	1.550	0.97	1.30	-0.078 - 0.639	-0.078 - 0.484
2.03 (80")	0.996	1.771	1.12	1.49	-0.090 - 0.731	-0.090 - 0.553
2.29 (90")	1.121	1.992	1.27	1.69	-0.101 - 0.822	-0.101 - 0.623
2.54 (100")	1.245	2.214	1.41	1.88	-0.112 - 0.913	-0.112 - 0.692
3.05 (120")	1.494	2.657	1.71	2.27	-0.134 - 1.096	-0.134 - 0.830
3.81 (150")	1.868	3.321	2.15	2.85	-0.168 - 1.370	-0.168 - 1.038
5.08 (200")	2.491	4.428	2.88	3.81	-0.224 - 1.826	-0.224 - 1.384
6.35 (250")	3.113	5.535	3.61	4.78	-0.280 - 2.283	-0.280 - 1.730
7.62 (300")	3.736	6.641	4.35	5.74	-0.336 - 2.740	-0.336 - 2.075
8.89 (350")	4.358	7.748	5.08	6.71	-0.392 - 3.196	-0.392 - 2.421
10.16 (400")	4.981	8.855	5.82	7.68	-0.448 - 3.653	-0.448 - 2.767
12.70 (500")	6.226	11.069	7.28	9.61	-0.560 - 4.566	-0.560 - 3.459
15.24 (600")	7.472	13.283	8.75	11.54	-0.672 - 5.479	-0.672 - 4.151

Appendix / Annexe / 付録 (continued / suite / つづき)

- When the screen aspect ratio is 16:9
- Lorsque le rapport d'aspect de l'écran est 16:9
- アスペクト比 16:9

(Unit / Unités / 単位 : m)

PT-RX110 / PT-DX100 / PT-DX820

Throw ratio / Rapport de projection / スローレシオ : [0.62 - 0.83:1]

SD	SH	SW	LW	LT	H (for models other than the PT-DX100) (pour les modèles autres que le PT-DX100) (PT-DX100 以外のとき)	H (for the PT-DX100) (pour le PT-DX100) (PT-DX100 のとき)
					1.27 (50")	0.623
1.52 (60")	0.747	1.328	0.81	1.09	-0.037 - 0.628	-0.037 - 0.498
1.78 (70")	0.872	1.550	0.96	1.28	-0.044 - 0.732	-0.044 - 0.581
2.03 (80")	0.996	1.771	1.10	1.47	-0.050 - 0.837	-0.050 - 0.664
2.29 (90")	1.121	1.992	1.25	1.66	-0.056 - 0.941	-0.056 - 0.747
2.54 (100")	1.245	2.214	1.39	1.85	-0.062 - 1.046	-0.062 - 0.830
3.05 (120")	1.494	2.657	1.68	2.24	-0.075 - 1.255	-0.075 - 0.996
3.81 (150")	1.868	3.321	2.12	2.81	-0.093 - 1.569	-0.093 - 1.245
5.08 (200")	2.491	4.428	2.84	3.76	-0.125 - 2.092	-0.125 - 1.660
6.35 (250")	3.113	5.535	3.57	4.71	-0.156 - 2.615	-0.156 - 2.075
7.62 (300")	3.736	6.641	4.29	5.67	-0.187 - 3.138	-0.187 - 2.491
8.89 (350")	4.358	7.748	5.01	6.62	-0.218 - 3.661	-0.218 - 2.906
10.16 (400")	4.981	8.855	5.74	7.57	-0.249 - 4.184	-0.249 - 3.321
12.70 (500")	6.226	11.069	7.19	9.48	-0.311 - 5.230	-0.311 - 4.151
15.24 (600")	7.472	13.283	8.64	11.39	-0.374 - 6.276	-0.374 - 4.981

Appendix / Annexe / 付録 (continued / suite / つづき)

- When the screen aspect ratio is 4:3
- Lorsque le rapport d'aspect de l'écran est 4:3
- アスペクト比 4:3

(Unit / Unités / 単位 : m)

PT-RZ970 / PT-RZ770 / PT-RZ660 / PT-DZ870 / PT-DZ780

Throw ratio / Rapport de projection / スローレシオ : [0.72 - 0.97:1]

SD	SH	SW	LW	LT	H (for models other than the PT-DZ870) (pour les modèles autres que le PT-DZ870) (PT-DZ870 以外のとき)	H (for the PT-DZ870) (pour le PT-DZ870) (PT-DZ870 のとき)
1.27 (50")	0.762	1.016	0.71	0.96	0.076 - 0.503	0.076 - 0.381
1.52 (60")	0.914	1.219	0.87	1.16	0.091 - 0.604	0.091 - 0.457
1.78 (70")	1.067	1.422	1.02	1.37	0.107 - 0.704	0.107 - 0.533
2.03 (80")	1.219	1.626	1.18	1.57	0.122 - 0.805	0.122 - 0.610
2.29 (90")	1.372	1.829	1.33	1.77	0.137 - 0.905	0.137 - 0.686
2.54 (100")	1.524	2.032	1.48	1.97	0.152 - 1.006	0.152 - 0.762
3.05 (120")	1.829	2.438	1.79	2.38	0.183 - 1.207	0.183 - 0.914
3.81 (150")	2.286	3.048	2.25	2.99	0.229 - 1.509	0.229 - 1.143
5.08 (200")	3.048	4.064	3.02	4.00	0.305 - 2.012	0.305 - 1.524
6.35 (250")	3.810	5.080	3.79	5.01	0.381 - 2.515	0.381 - 1.905
7.62 (300")	4.572	6.096	4.56	6.03	0.457 - 3.018	0.457 - 2.286
8.89 (350")	5.334	7.112	5.33	7.04	0.533 - 3.520	0.533 - 2.667
10.16 (400")	6.096	8.128	6.10	8.05	0.610 - 4.023	0.610 - 3.048
12.70 (500")	7.620	10.160	7.64	10.08	0.762 - 5.029	0.762 - 3.810
15.24 (600")	9.144	12.192	9.18	12.11	0.914 - 6.035	0.914 - 4.572

PT-RW930 / PT-RW730 / PT-RW620 / PT-DW830 / PT-DW750

Throw ratio / Rapport de projection / スローレシオ : [0.76 - 1.01:1]

SD	SH	SW	LW	LT	H (for models other than the PT-DW830) (pour les modèles autres que le PT-DW830) (PT-DW830 以外のとき)	H (for the PT-DW830) (pour le PT-DW830) (PT-DW830 のとき)
1.27 (50")	0.762	1.016	0.75	1.01	0.008 - 0.503	0.008 - 0.381
1.52 (60")	0.914	1.219	0.91	1.22	0.009 - 0.604	0.009 - 0.457
1.78 (70")	1.067	1.422	1.08	1.44	0.011 - 0.704	0.011 - 0.533
2.03 (80")	1.219	1.626	1.24	1.65	0.012 - 0.805	0.012 - 0.610
2.29 (90")	1.372	1.829	1.40	1.86	0.014 - 0.905	0.014 - 0.686
2.54 (100")	1.524	2.032	1.56	2.07	0.015 - 1.006	0.015 - 0.762
3.05 (120")	1.829	2.438	1.88	2.50	0.018 - 1.207	0.018 - 0.914
3.81 (150")	2.286	3.048	2.37	3.14	0.023 - 1.509	0.023 - 1.143
5.08 (200")	3.048	4.064	3.18	4.20	0.030 - 2.012	0.030 - 1.524
6.35 (250")	3.810	5.080	3.98	5.26	0.038 - 2.515	0.038 - 1.905
7.62 (300")	4.572	6.096	4.79	6.33	0.046 - 3.018	0.046 - 2.286
8.89 (350")	5.334	7.112	5.60	7.39	0.053 - 3.520	0.053 - 2.667
10.16 (400")	6.096	8.128	6.41	8.45	0.061 - 4.023	0.061 - 3.048
12.70 (500")	7.620	10.160	8.02	10.58	0.076 - 5.029	0.076 - 3.810
15.24 (600")	9.144	12.192	9.64	12.70	0.091 - 6.035	0.091 - 4.572

Appendix / Annexe / 付録 (continued / suite / つづき)

- When the screen aspect ratio is 4:3
- Lorsque le rapport d'aspect de l'écran est 4:3
- アスペクト比 4:3

(Unit / Unités / 単位 : m)

PT-RX110 / PT-DX100 / PT-DX820

Throw ratio / Rapport de projection / スローレシオ : [0.62 - 0.83:1]

SD	SH	SW	LW	LT	H (for models other than the PT-DX100) (pour les modèles autres que le PT-DX100) (PT-DX100 以外のとき)	H (for the PT-DX100) (pour le PT-DX100) (PT-DX100 のとき)
					0.152 - 0.480	0.152 - 0.381
1.27 (50")	0.762	1.016	0.61	0.82	0.152 - 0.480	0.152 - 0.381
1.52 (60")	0.914	1.219	0.74	1.00	0.183 - 0.576	0.183 - 0.457
1.78 (70")	1.067	1.422	0.88	1.17	0.213 - 0.672	0.213 - 0.533
2.03 (80")	1.219	1.626	1.01	1.35	0.244 - 0.768	0.244 - 0.610
2.29 (90")	1.372	1.829	1.14	1.52	0.274 - 0.864	0.274 - 0.686
2.54 (100")	1.524	2.032	1.27	1.70	0.305 - 0.960	0.305 - 0.762
3.05 (120")	1.829	2.438	1.54	2.05	0.366 - 1.152	0.366 - 0.914
3.81 (150")	2.286	3.048	1.94	2.57	0.457 - 1.440	0.457 - 1.143
5.08 (200")	3.048	4.064	2.60	3.45	0.610 - 1.920	0.610 - 1.524
6.35 (250")	3.810	5.080	3.27	4.32	0.762 - 2.400	0.762 - 1.905
7.62 (300")	4.572	6.096	3.93	5.20	0.914 - 2.880	0.914 - 2.286
8.89 (350")	5.334	7.112	4.60	6.07	1.067 - 3.360	1.067 - 2.667
10.16 (400")	6.096	8.128	5.26	6.95	1.219 - 3.840	1.219 - 3.048
12.70 (500")	7.620	10.160	6.59	8.70	1.524 - 4.801	1.524 - 3.810
15.24 (600")	9.144	12.192	7.92	10.45	1.829 - 5.761	1.829 - 4.572

Note

- A $\pm 5\%$ error in listed projection distances may occur.
In addition, when [KEYSTONE] is used, distance is corrected to become smaller than the specified screen size.
- The throw ratio is based on the value during projection with the projected image size of 3.81 m (150").

Remarque

- Une erreur de $\pm 5\%$ dans des distances de projection énumérées peut se produire.
En outre, lorsque [CORRECTION DE TRAPÈZE] est utilisé, la distance est corrigée pour devenir inférieure à la taille d'écran spécifiée.
- Le rapport de projection est basé sur la valeur en cours de projection avec une taille de l'image projetée de 3,81 m (150").

お知らせ

- 記載の投写距離は $\pm 5\%$ 以下の範囲内で誤差が発生します。
また、[台形補正] 使用時は、所定の画面サイズよりも小さくなる方向で補正されます。
- スローレシオは、投写画面サイズ 150 型投写時の値を基準にしています。

Setting-up dimensions which are not given in the above table can be calculated using the formulas below. Check the projected image size SD (m) and use the following formula to determine projection distance (L).

La configuration des dimensions qui ne sont pas données dans le tableau ci-dessus peut être calculée à l'aide des formules suivantes. Vérifiez la taille de l'image projetée SD (m) et utilisez la formule suivante pour déterminer la distance de projection (L).

上記の表以外の投写寸法は次の計算式で求めることができます。画面対角サイズ SD (m) をご確認のうえ、それぞれの計算式で投写距離 (L) を求めてください。

Appendix / Annexe / 付録 (continued / suite / つづき)

- Projection distance formulas
- Formules de distance de projection
- 投写距離計算式

The dimensions of the following table contain a slight error.

Periods are used to represent decimal points in the calculation formulas in the following table.

Les dimensions du tableau suivant peuvent présenter un léger écart.

Les points sont utilisés pour indiquer les décimales dans les formules de calcul dans le tableau suivant.

次の表内の寸法は若干の誤差があります。

(Unit / Unités / 単位 : m)

		L	
		LW	LT
PT-RZ970 / PT-RZ770 / PT-RZ660 / PT-DZ870 / PT-DZ780	When the screen aspect ratio is 16:10 Lorsque le rapport d'aspect de l'écran est 16:10 アスペクト比 16:10 のとき	=0.535 × SD-0.0549	=0.705 × SD-0.0518
	When the screen aspect ratio is 16:9 Lorsque le rapport d'aspect de l'écran est 16:9 アスペクト比 16:9 のとき	=0.550 × SD-0.0549	=0.724 × SD-0.0518
	When the screen aspect ratio is 4:3 Lorsque le rapport d'aspect de l'écran est 4:3 アスペクト比 4:3 のとき	=0.606 × SD-0.0549	=0.798 × SD-0.0518
PT-RW930 / PT-RW730 / PT-RW620 / PT-DW830 / PT-DW750	When the screen aspect ratio is 16:10 Lorsque le rapport d'aspect de l'écran est 16:10 アスペクト比 16:10 のとき	=0.562 × SD-0.0549	=0.740 × SD-0.0518
	When the screen aspect ratio is 16:9 Lorsque le rapport d'aspect de l'écran est 16:9 アスペクト比 16:9 のとき	=0.578 × SD-0.0549	=0.761 × SD-0.0518
	When the screen aspect ratio is 4:3 Lorsque le rapport d'aspect de l'écran est 4:3 アスペクト比 4:3 のとき	=0.636 × SD-0.0549	=0.837 × SD-0.0518
PT-RX110 / PT-DX100 / PT-DX820	When the screen aspect ratio is 16:9 Lorsque le rapport d'aspect de l'écran est 16:9 アスペクト比 16:9 のとき	=0.570 × SD-0.0549	=0.751 × SD-0.0518
	When the screen aspect ratio is 4:3 Lorsque le rapport d'aspect de l'écran est 4:3 アスペクト比 4:3 のとき	=0.523 × SD-0.0549	=0.689 × SD-0.0518

Panasonic Corporation

Web Site : <https://panasonic.net/cns/projector/>

Panasonic System Solutions Company of North America

Two Riverfront Plaza, Newark, NJ 07102

TEL: (877) 803 - 8492

Panasonic Canada Inc.

5770 Ambler Drive, Mississauga, Ontario L4W 2T3

TEL: (905) 624 - 5010

パナソニック株式会社 コネクティッドソリューションズ社

〒 571-8503 大阪府門真市松葉町 2 番 15 号